

ROOM PHONE BOOTH SPRINKLER INSTALLATION DIAGRAM: 830041-01 RevD

****IF YOUR ROOF HAS A PRE-DRILLED HOLE, FOLLOW INSTRUCTIONS ON THE NEXT PAGE****

TOOLS NEEDED:

- 1) BLUE TAPE
- 2) 2.5" HOLE SAW
- 3) POWER DRILL

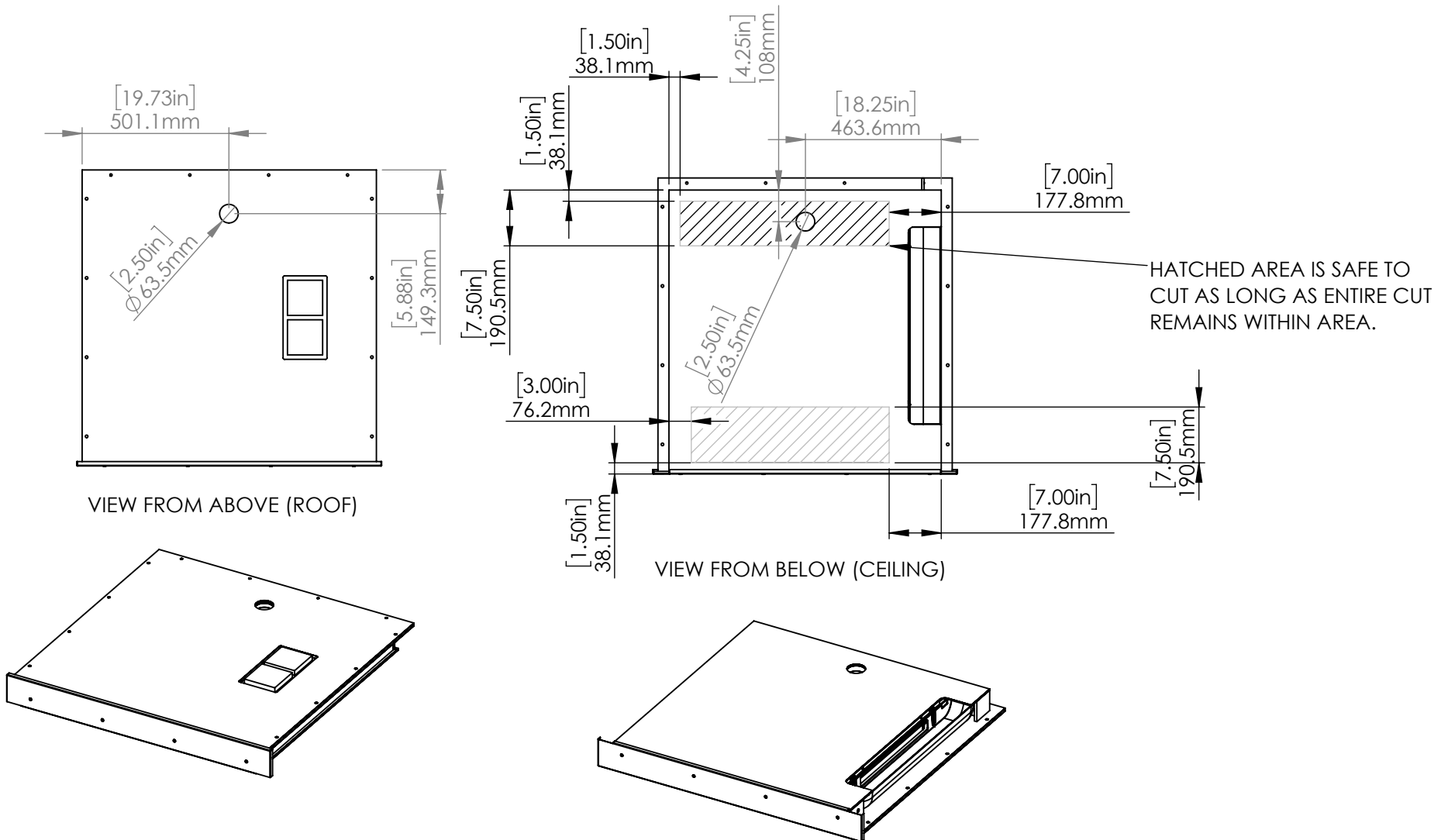
INSTRUCTIONS:

STEP 1: GENEROUSLY COVER CEILING AND ROOF LAMINATE WITH BLUE TAPE AROUND HOLE LOCATION.

STEP 2: USING A 2.5" HOLE SAW, DRILL FROM BELOW (CEILING SIDE) THROUGH FIRST LAYER OF MDF AND ALL PET. UNTIL THE SAW REACHES THE UNDERSIDE OF THE ROOF. THE CENTER DRILL SHOULD PIERCE THROUGH THE ROOF. REMOVE MATERIAL FROM INSIDE OF THE SAW AS NEEDED.

STEP 3: USING THE CENTER DRILL HOLE AS A GUIDE, COMPLETE THE 2.5" HOLE FROM ABOVE (ROOF SIDE).

STEP 4: REMOVE ALL BLUE TAPE AND INSTALL THE SPRINKLER PER THE MANUFACTURER'S INSTRUCTIONS.



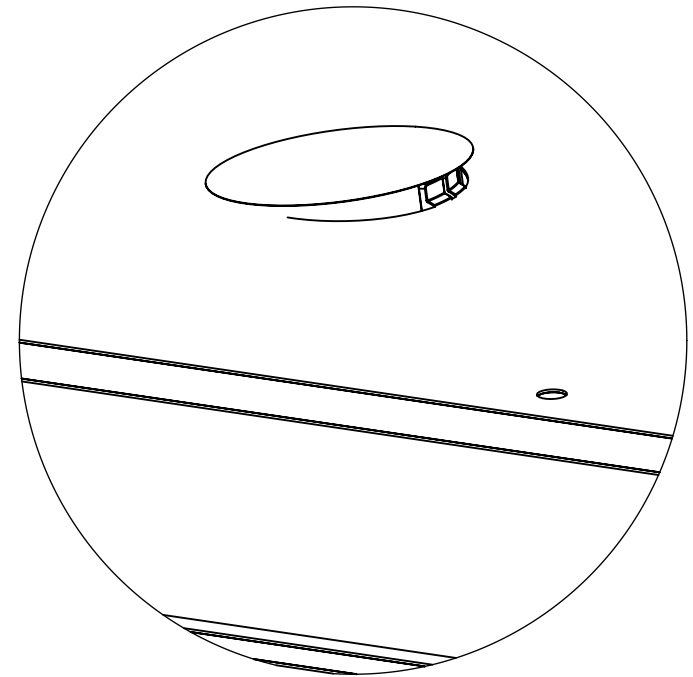
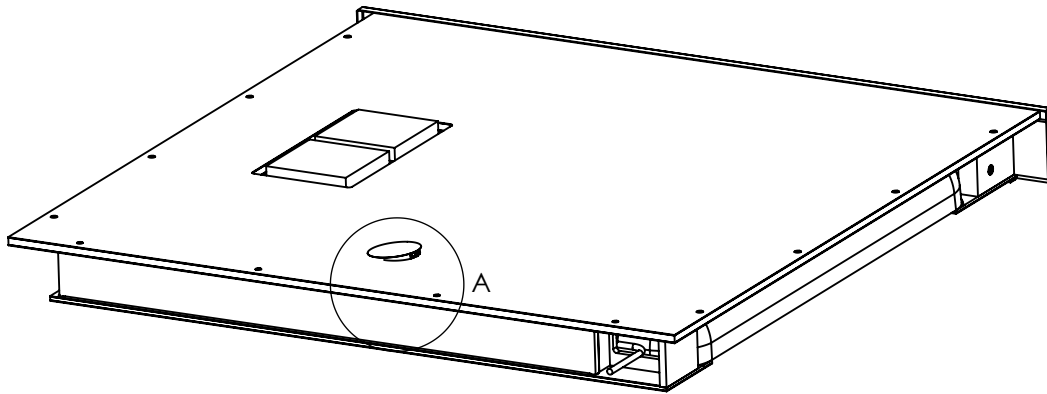
INSTRUCTIONS:

STEP 1: IF PLASTIC CAPS ARE PRESENT, USE YOUR FINGER NAILS TO GENTLY PRY THE PLASTIC CAPS OFF BOTH SIDERS OF THE PRE-DRILLED HOLE.

BE CAREFUL NOT TO DAMAGE THE COSMETIC SURFACES.

STEP 2: USE A UTILITY KNIFE OR 2.5" HOLE SAW TO CUT THROUGH THE SOUND-INSULATING MATERIAL, IF PRESENT.

STEP 3: INSTALL THE SPRINKLER PER THE MANUFACTURER'S INSTRUCTIONS



DETAIL A
SCALE 1 : 2