



Open the door
to a better way
to work.

At ROOM, we make room for people with simple, seamless, and sustainable solutions. We've worked hard to make it easy, doing more by using less, and creating a seamless journey from purchase to privacy.



- | | | |
|---|--|--|
| <p>01 Custom built-in desk
The 80cm grooved, oak-veneered desk holds any smartphone or tablet upright, giving you ample space for all your essentials.</p> | <p>06 Motion sensor
Smart sensor activates the light and fans, helping you stay energy efficient.</p> | <p>10 Industrial grade carpet
100% nylon for higher resistance to wear and tear.</p> |
| <p>02 LED light
Overhead LED light strip ensures bright ideas don't stay in the dark.</p> | <p>07 Airflow inlet
Discreet inlet, removable for easy cleaning, optimizes airflow.</p> | <p>11 Ceiling fans
Two ultra-quiet fans keep you cool under pressure.</p> |
| <p>03 Magnetic board
Designed to house your favorite accessories, the magnetic board ensures you stay organized.</p> | <p>08 Noise insulated walls
3.8cm of sound insulation comprised of laminate, MDF, PET from recycled plastic, and 100% breathable wool felt provides effective and natural sound insulation.</p> | <p>12 Leveling feet
Adjustable feet compensate for uneven surfaces, so everyone stays level-headed.</p> |
| <p>04 Power outlets
Two outlets keep you powered up for every charged work session.</p> | <p>09 Magnetic door
Acrylic pane with magnetic seal, housed in a metal frame, minimizes noise and keeps office banter out.</p> | <p>13 Plug
Located in the back, a standard 120-240V plug with a 3m long power cord gives you freedom to make room where you need it most, no hardwiring required.</p> |
| <p>05 Ethernet port
Optional CAT6 RJ45 plug ensures you never miss a connection.</p> | | |

Product Dimensions

Exterior
H 225.6cm x W 105.4cm x D 110.0cm
H 88.8" x W 41.5" x D 43.3"

Interior
H 203.2cm x W 92.7cm x D 97.3cm
H 80" x W 36.5" x D 38.3"

Desk height
109.2cm / 43"

Power cord
304.8cm / 10 ft

Packaging Dimensions

Box 1 - floor, handle and hardware kit
H 43.3" x L 43.8" x W 7.9"
H 110cm x L 111.3cm x W 20.1"

Box 2 - left wall
H 89" x L 43" x W 4.2"
H 226.1cm x L 109.2cm x W 10.7cm

Box 3 - right wall and door
H 89" x L 43" x W 4.4"
H 226.1cm x L 109.2cm x W 11.2cm

Box 4 - back wall
H 89" x L 43" x W 4.2"
H 226.1cm x L 109.2cm x W 10.7cm

Box 5 - roof
H 43.3" x L 42.8" x W 5.6"
H 110cm x L 108.7cm x W 14.2cm

Color Palettes

	White		Black	
Door	White	○	Black	●
Interior	Light Gray	●	Dark Gray	●
Exterior	Oak	●	Black Oak	●
Accents	Oak	●	Oak	●

Specifications

Capacity
1 person

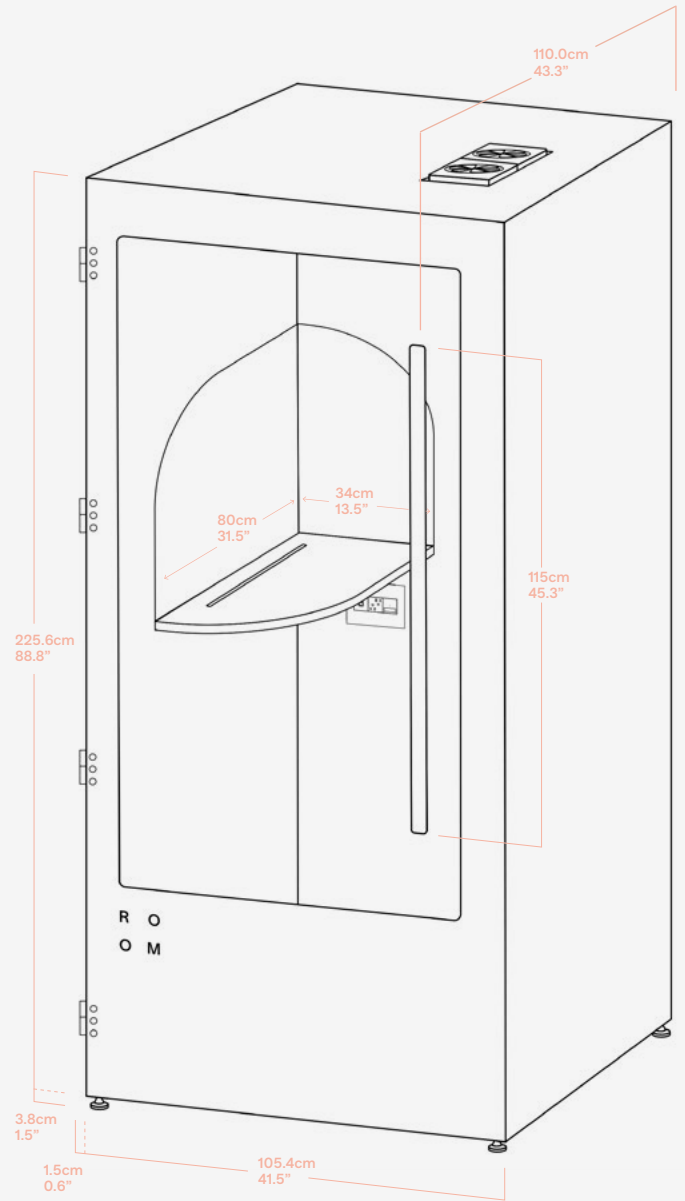
Weight
207.6 kg / 457.5 lb

Power requirements
120-240V, 8 A (MAX), 50-60 Hz
Grounded Outlet
LED light draws 12W at 12V
Each fan draws 1.2W at 12V

NIC rating
28dB

Airflow
1.7 m3/min

Ethernet
CAT6 RJ45



Warranty

We offer a 2-year limited warranty on every booth you purchase. We cover the full cost of repairs or replacements needed due to manufacturing defects. View warranty details and restrictions here:

room.com/pages/warranty



R O
O M



We make it
simple at every
single step.

from CHF 4.495

Risk-free trial

Try it for 100 days, risk-free. If you're not satisfied, we'll pick it up and give you a full refund.

Free shipping

We offer free shipping with every order, so you can have extra room in your budget.

Easy assembly

Two people, one tool, and under one hour are all you need.

Get in touch

London

support@room.com
+44 20 3868 7238

79-81 Borough Rd
London, UK SE11DN 9

Berlin

support@room.com
+49 30 567 95478

ROOM Collective Germany GmbH
Kurfuerstendamm 15
10719 Berlin