



Open the door
to a better way
to work.

At ROOM, we make room for people with simple, seamless, and sustainable solutions. We've worked hard to make it easy, doing more by using less, and creating a seamless journey from purchase to privacy.



01 Custom built-in desk

The 80cm grooved, oak-veneered desk holds any smartphone or tablet upright, giving you ample space for all your essentials.

02 Sustainably Soundproof

Made from recycled PET and engineered to reduce noise by 28dB.

03 Magnetic board

Designed to house your favorite accessories, the magnetic board ensures you stay organized.

04 Power outlets

Two outlets keep you powered up for every charged work session.

05 Ethernet port

Optional CAT6 RJ45 plug ensures you never miss a connection.

06 Motion sensor

Smart sensor activates the light and fans, helping you stay energy efficient.

07 LED light

Overhead LED light strip ensures bright ideas don't stay in the dark.

08 Leveling feet

Adjustable feet compensate for uneven surfaces, so everyone stays level-headed.

09 Magnetic door

Acrylic panel with magnetic seal, housed in a metal frame, minimizes noise and keeps office banter out.

10 Industrial grade carpet

100% nylon for higher resistance to wear and tear.

11 Ceiling fans

Two ultra-quiet fans keep you cool under pressure.

12 Airflow inlet

Discreet inlet, removable for easy cleaning, optimizes airflow.

13 Plug

Located in the back, a standard 120-240V plug with a 3m long power cord gives you freedom to make room where you need it most, no hardwiring required.

Product Dimensions

Exterior
H 7' 5" x W 3' 6" x D 3' 7"
H 225.6cm x W 105.4cm x D 110.0cm

Interior
H 6' 8" x W 3' 1" x D 3' 2"
H 203.2cm x W 92.7cm x D 97.3cm

Desk height
3' 7" / 109.2cm

Power cord
10' / 304.8cm

Packaging Dimensions

Box 1 - floor, handle and hardware kit
H 3' 7.3" x L 3' 7.8" x W 7.9"
H 110cm x L 111.3cm x W 20.1cm

Box 2 - left wall
H 7' 5" x L 3' 7" x W 4.2"
H 226.1cm x L 109.2cm x W 10.7cm

Box 3 - right wall and door
H 7' 5" x L 3' 7" x W 4.4"
H 226.1cm x L 109.2cm x W 11.2cm

Box 4 - back wall
H 7' 5" x L 3' 7" x W 4.2"
H 226.1cm x L 109.2cm x W 10.7cm

Box 5 - roof
H 3' 7.3" x L 3' 6.8" x W 5.6"
H 110cm x L 108.7cm x W 14.2cm

Color Palettes

	White		Black	
Door	White	○	Black	●
Interior	Light Gray	●	Dark Gray	●
Exterior	Oak	●	Black Oak	●
Accents	Oak	●	Oak	●

Specifications

Capacity
1 person

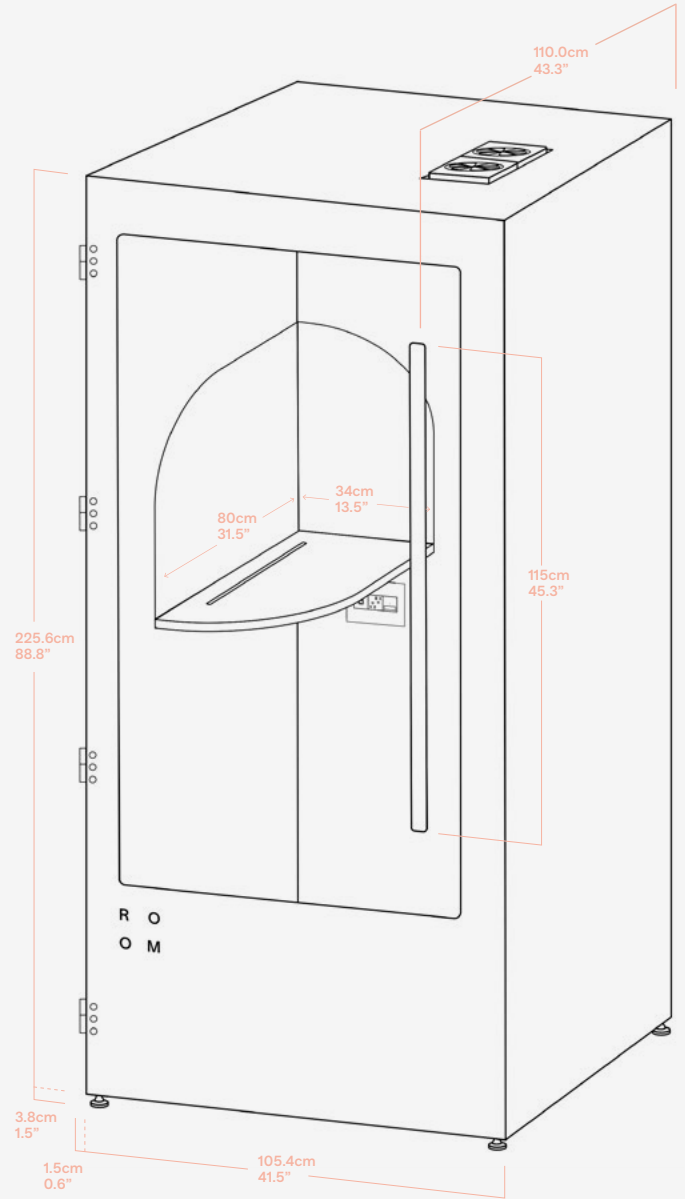
Weight
457.5 lb / 207.6 kg

Power requirements
120-240V, 8 A (MAX), 50-60 Hz
Grounded Outlet
LED light draws 12W at 12V
Each fan draws 1.2W at 12V

NIC rating
28dB

Airflow
1.7 m3/min

Ethernet
CAT6 RJ45



Warranty

We offer a 2-year limited warranty on every booth you purchase. We cover the full cost of repairs or replacements needed due to manufacturing defects. View warranty details and restrictions here:

room.com/pages/warranty



We make it
simple at every
single step.

from £3,595

Risk-free trial

Test your first booth for 100 days, risk-free. If you're not satisfied, we'll pick it up and give you a full refund.

Free shipping

We offer free shipping with every order, so you can have extra room in your budget.

Easy assembly

Two people, one tool, and under one hour are all you need.

Get in touch

London

support@room.com
+44 20 3868 7238

79-81 Borough Rd
London, UK SE11DN 9

Berlin

support@room.com
+49 30 567 95478

ROOM Collective Germany GmbH
Kurfuerstendamm 15
10719 Berlin